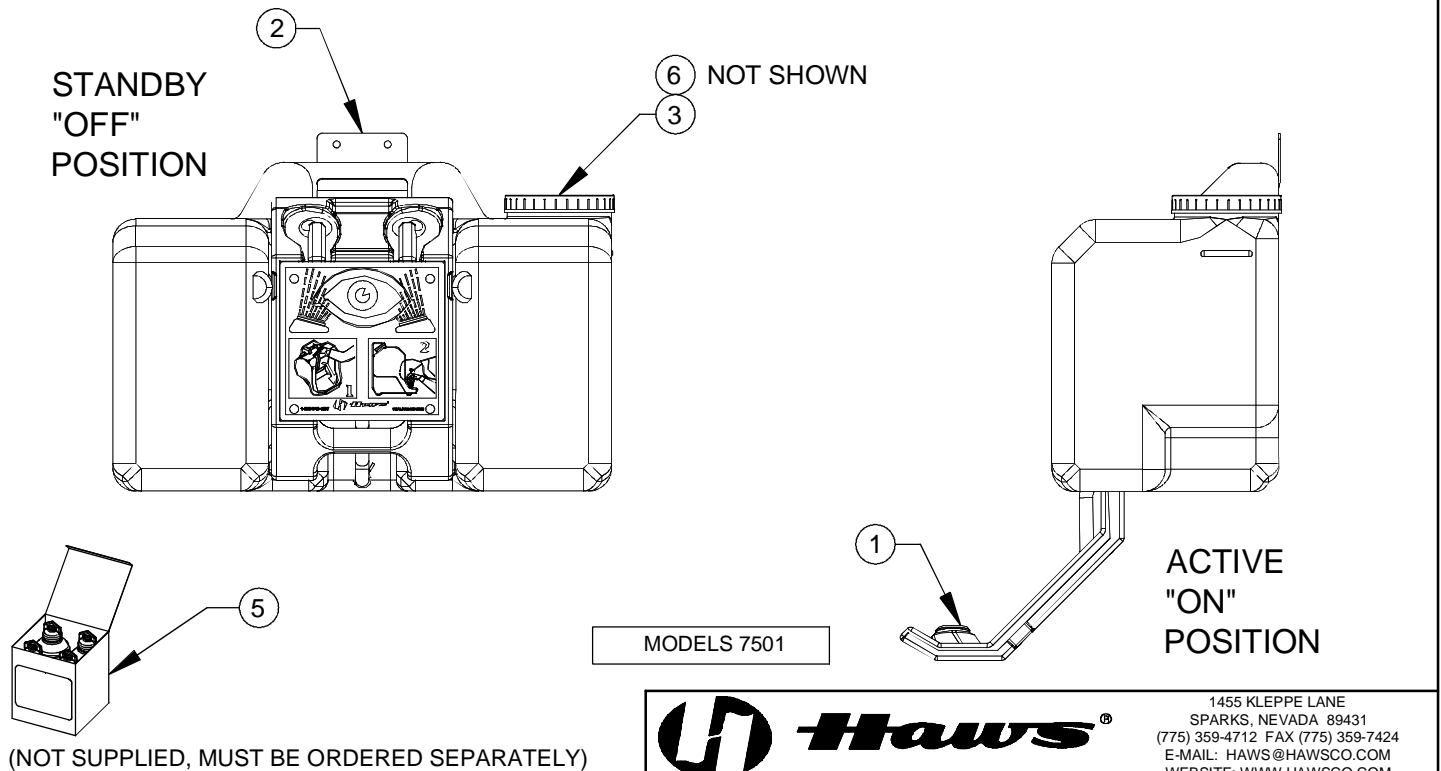
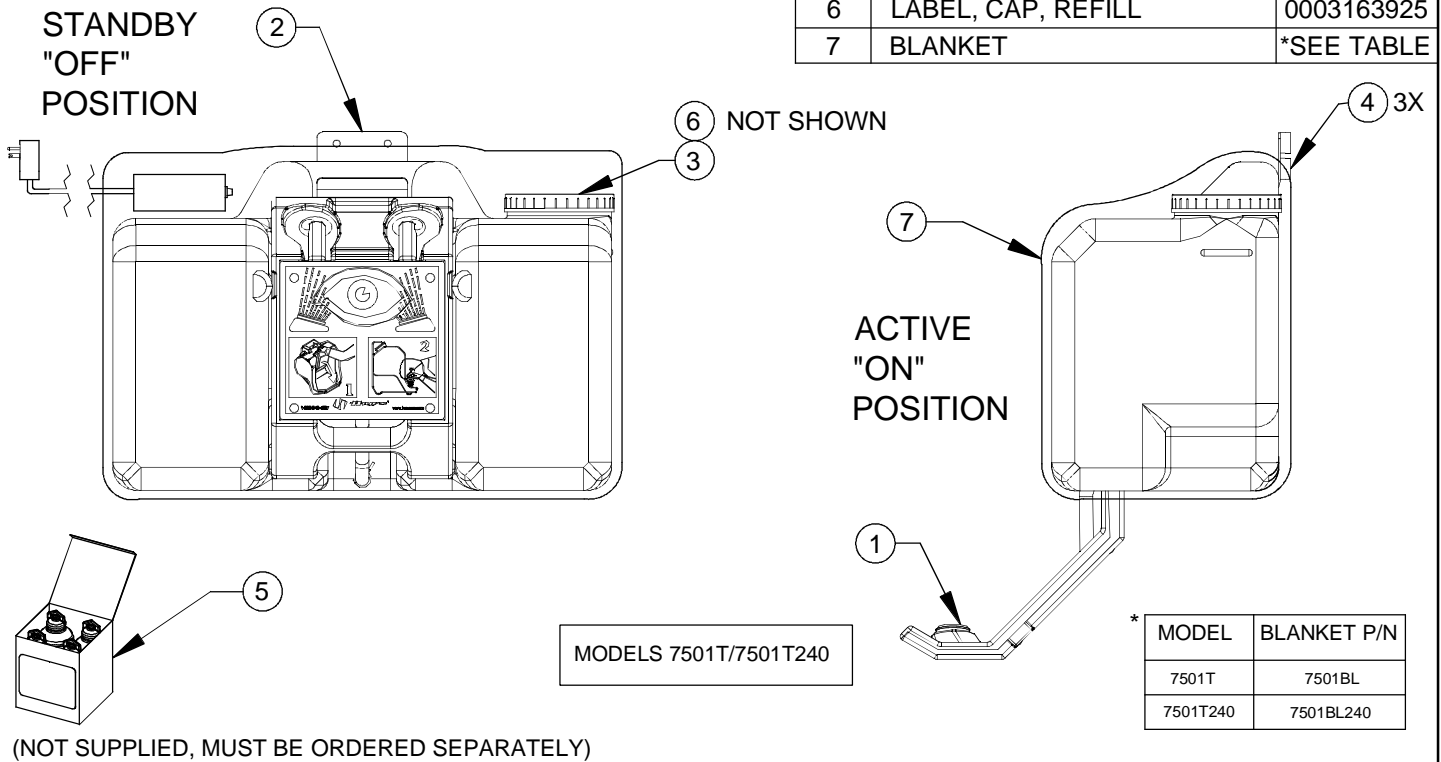


PARTS BREAKDOWN

ITEM	DESCRIPTION	PART NO.
1	EYEWASH HEAD ASSY	SP19
2	BRACKET	0001217418
3	CAP	SP131
4	ALUMINUM SPACER	0310000166
5	STERILE ANTIMICROBIAL PRESERVATIVE	9082
6	LABEL, CAP, REFILL	0003163925
7	BLANKET	*SEE TABLE





Haws[®]

1455 KLEPPE LANE
SPARKS, NEVADA 89431
(775) 359-4712 FAX (775) 359-7424
E-MAIL: HAWS@HAWSO.COM
WEBSITE: WWW.HAWSO.COM

ECN NO. 5086	REVISED PER ECN: 5086	BY MJ	MODEL(S)	PART NUMBER
DRAWN RTM	DATE 04/18/04	CHKD VWC	7501/7501T/7501T240 PORTABLE EYEWASH	0002080045
APPROVED FV	DATE 07/12/16	SCALE: 1:1		DRAWING TYPE: PARTS BREAKDOWN
WHEN ORDERING PARTS PLEASE SPECIFY MODEL NUMBER.			SIZE: A	SHEET 1 OF 1